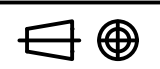

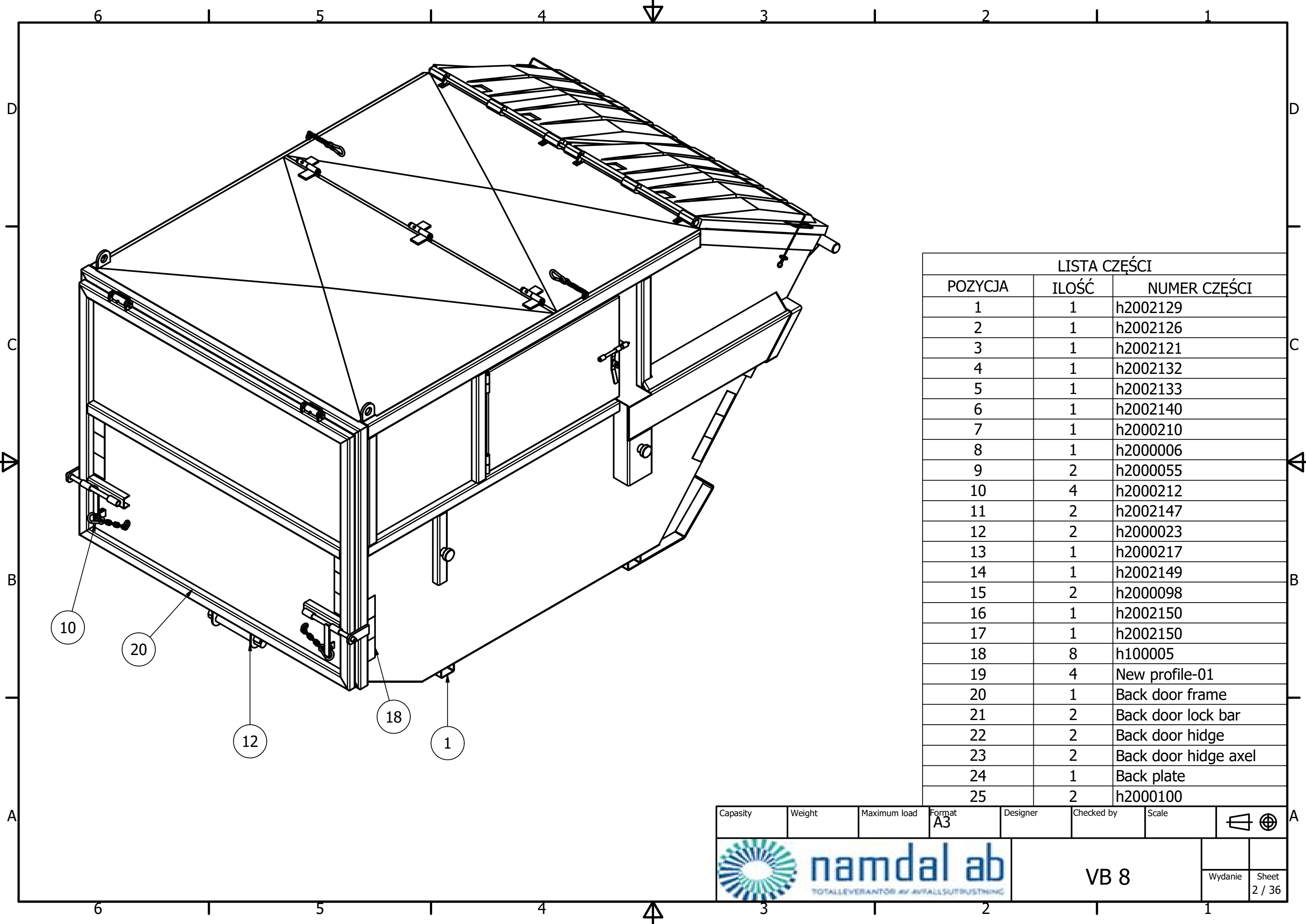


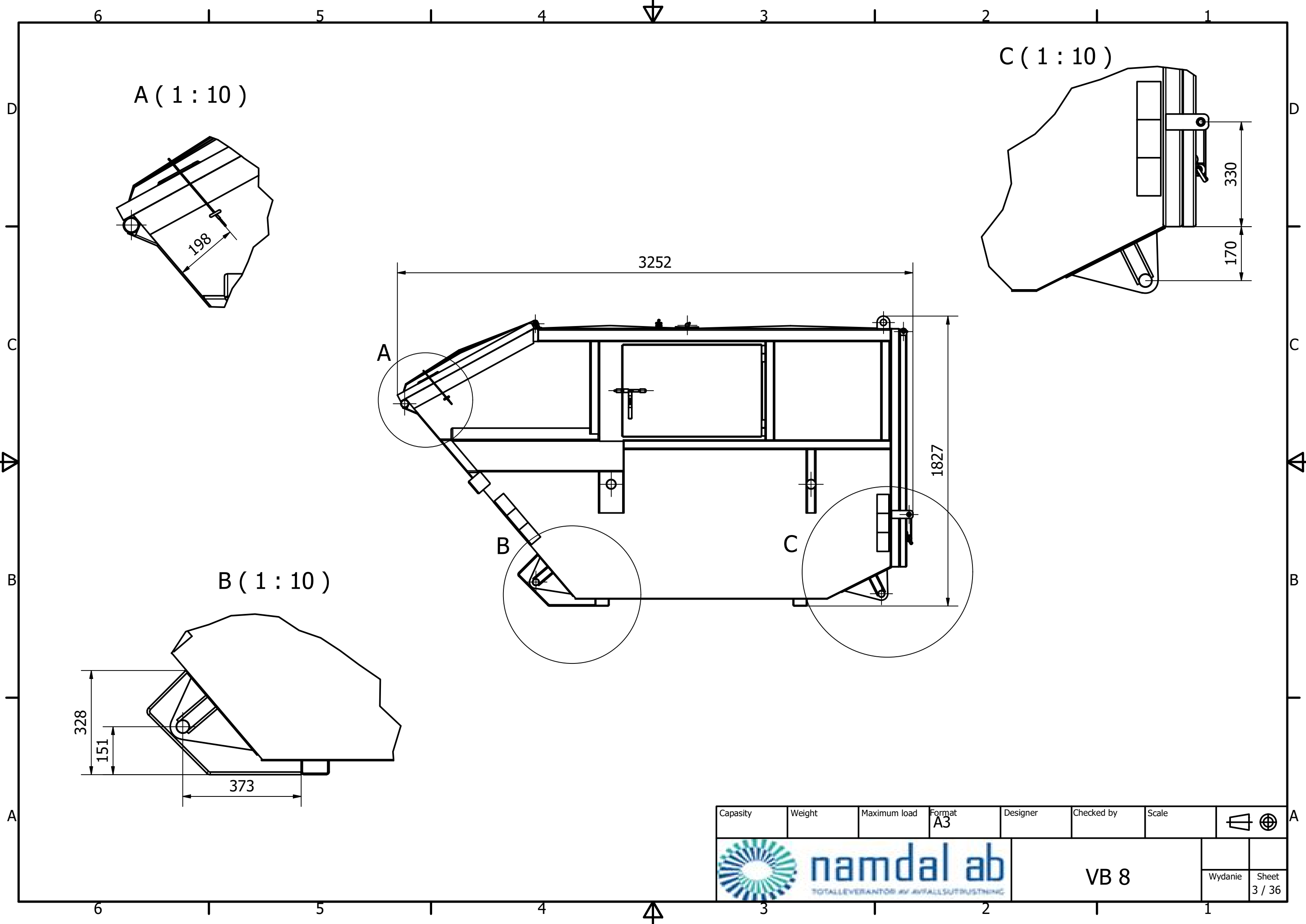
ITEM	QUANTITY	ITEM NUMBER
1	1	h2002129
2	1	h2002126
3	1	h2002121
4	1	h2002132
5	1	h2002133
6	1	h2002140
7	1	h2000210
8	1	h2000006
9	2	h2000055
10	4	h2000212
11	2	h2002147
12	2	h2000023
13	1	h2000217
14	1	h2002149
15	2	h2000098
16	1	h2002150
17	1	h2002150
18	8	h100005
19	4	New profile-01
20	1	Back door frame
21	2	Back door lock bar
22	2	Back door hidge
23	2	Back door hidge axel
24	1	Back plate
25	2	h2000100

Capacity	Weight	Maximum load	Format A3	Designer	Checked by	Scale	
				FB-8H		Wydanie 1 / 36	Sheet 1 / 36



LISTA CZĘŚCI		
POZYCJA	ILOŚĆ	NUMER CZĘŚCI
1	1	h2002129
2	1	h2002126
3	1	h2002121
4	1	h2002132
5	1	h2002133
6	1	h2002140
7	1	h2000210
8	1	h2000006
9	2	h2000055
10	4	h2000212
11	2	h2002147
12	2	h2000023
13	1	h2000217
14	1	h2002149
15	2	h2000098
16	1	h2002150
17	1	h2002150
18	8	h100005
19	4	New profile-01
20	1	Back door frame
21	2	Back door lock bar
22	2	Back door hidge
23	2	Back door hidge axel
24	1	Back plate
25	2	h2000100

Capacity	Weight	Maximum load	Format A3	Designer	Checked by	Scale	
				VB 8		Wydanie 2 / 36	Sheet 2 / 36



A (1 : 10)

C (1 : 10)

B (1 : 10)

3252

1827

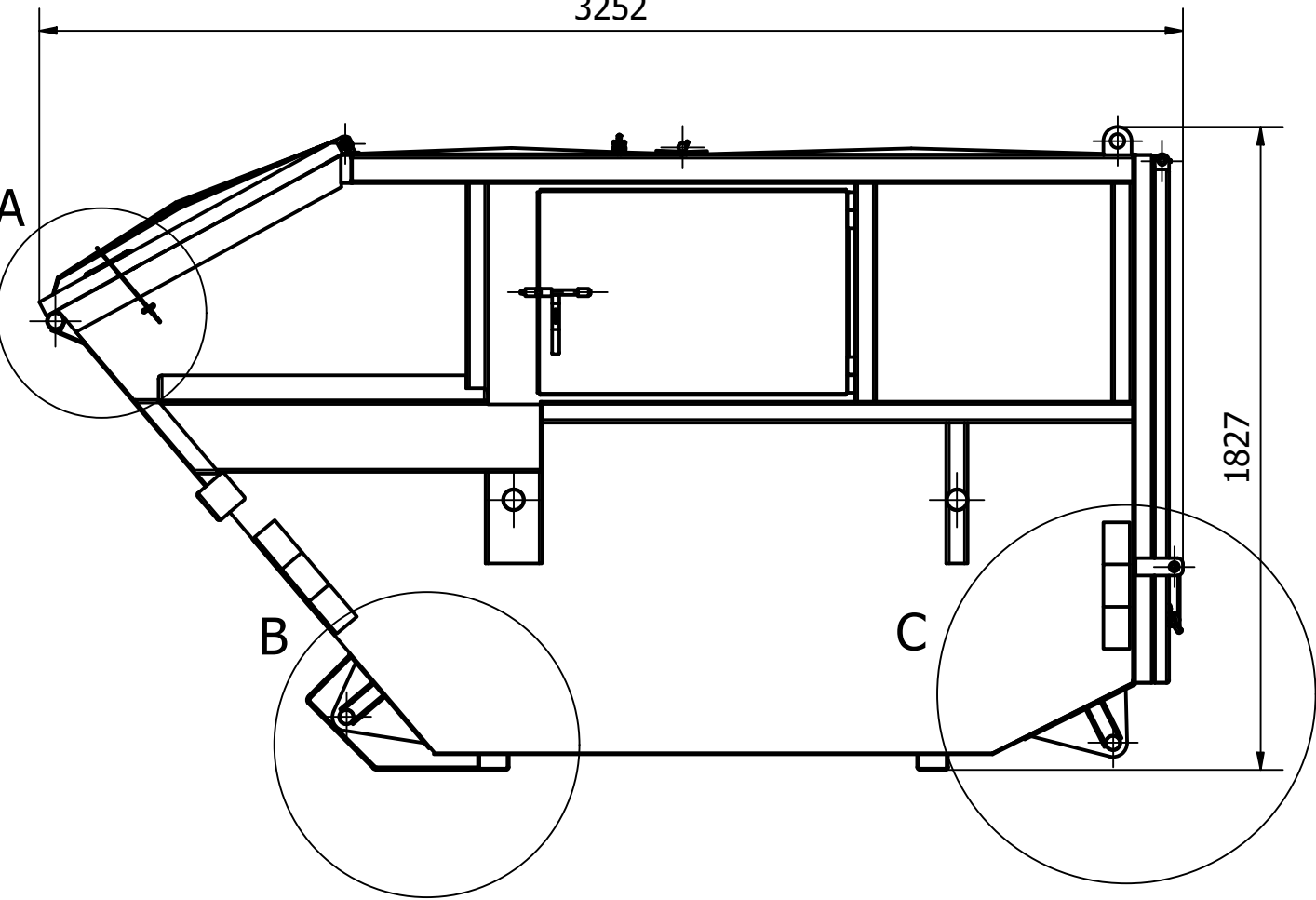
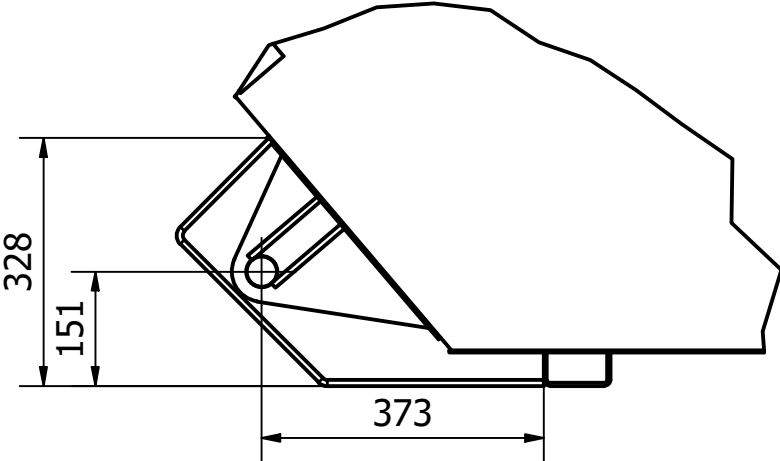
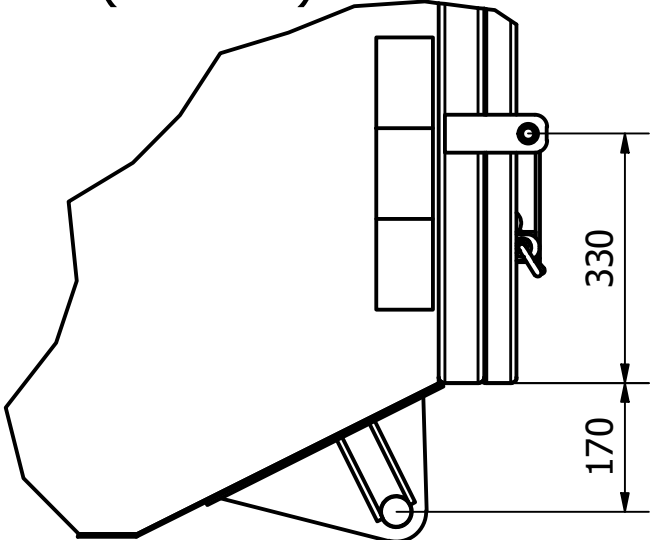
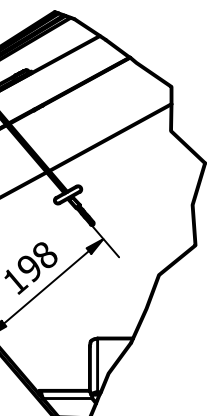
330

170

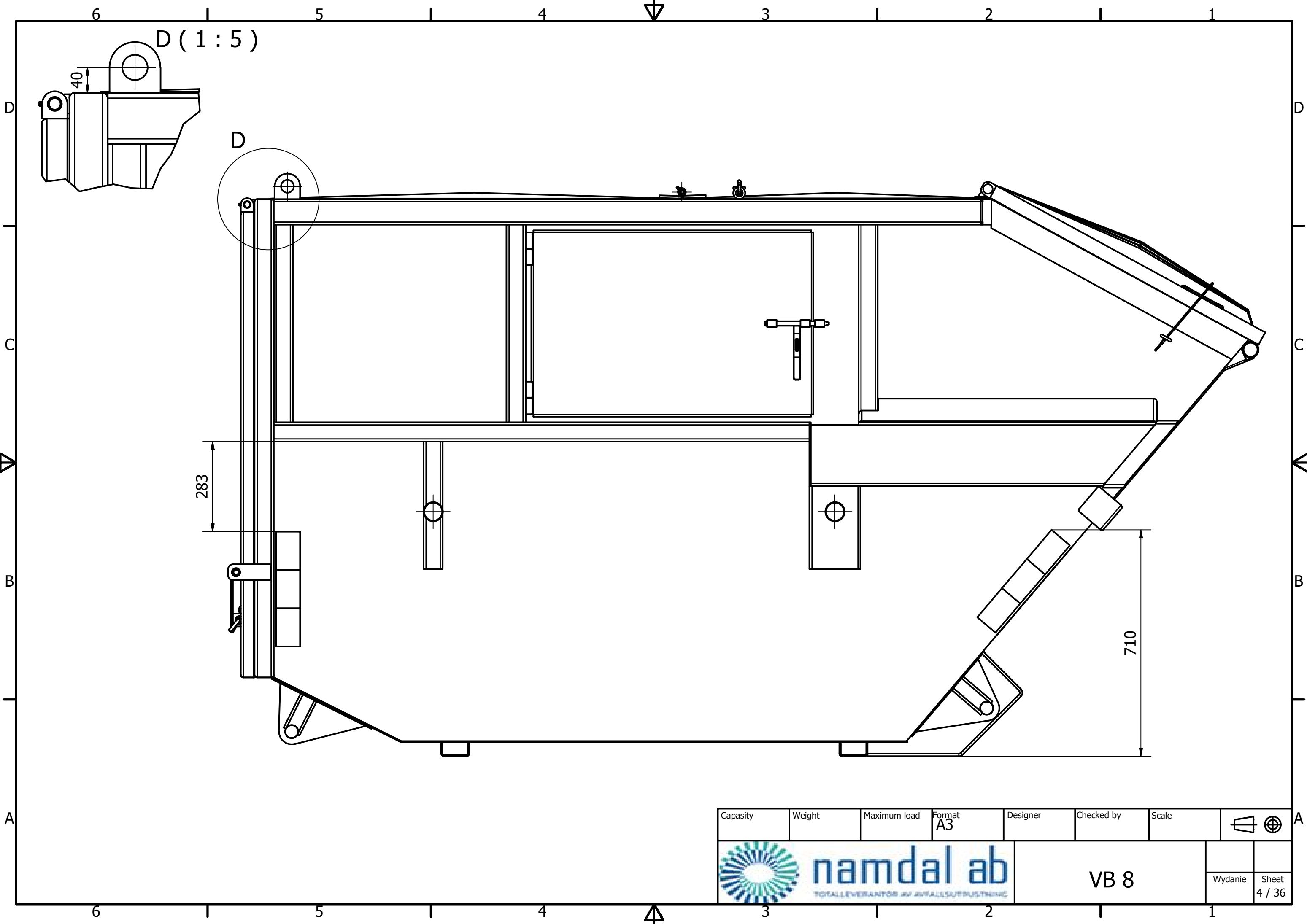
328



151

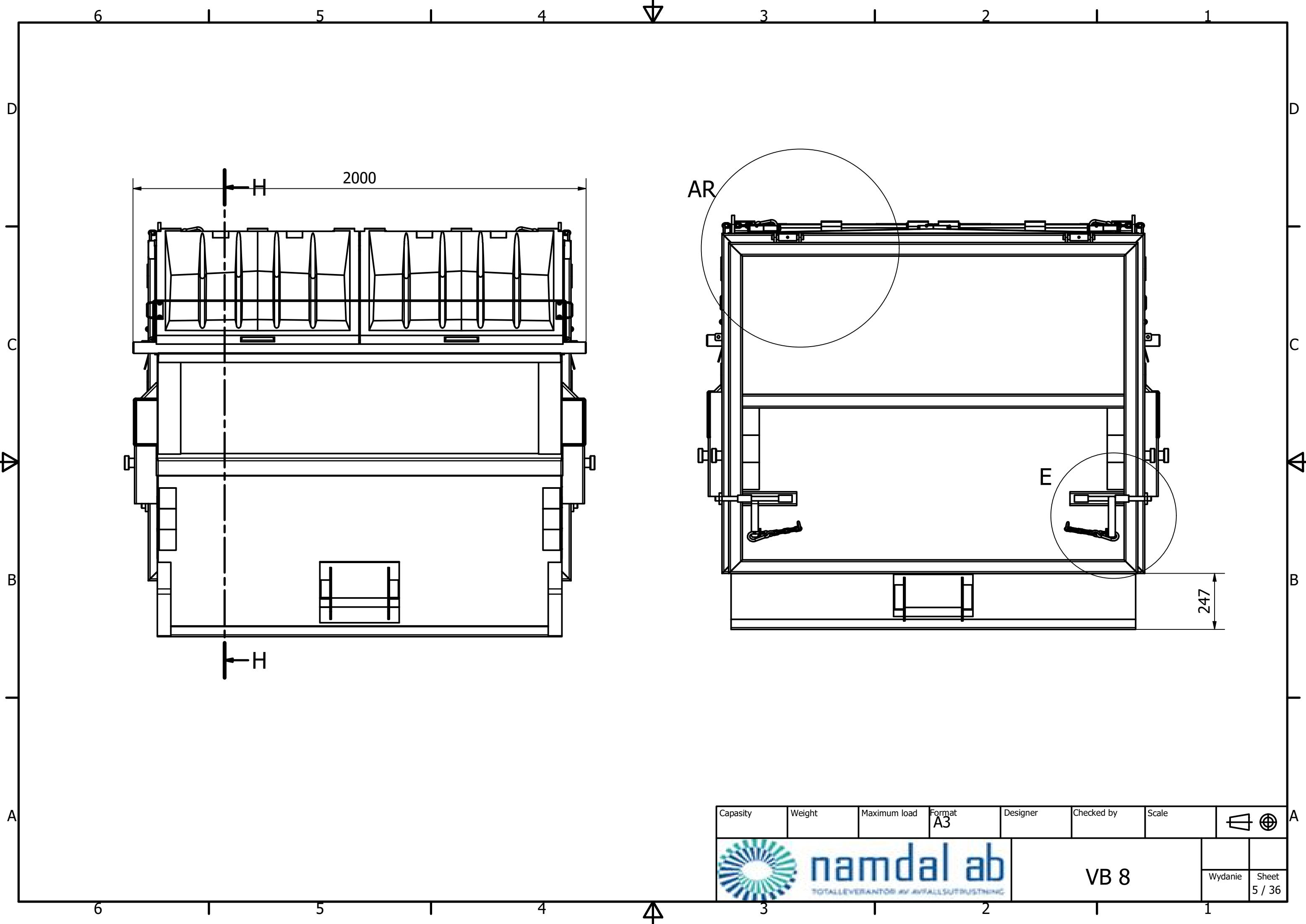
373





Capacity	Weight	Maximum load	Format A3	Designer	Checked by	Scale	
 <small>TOTALLEVERANTÖR AV AVFALLSUTRUSTNING</small>				VB 8		Wydanie 3 / 36	



Capacity	Weight	Maximum load	Format A3	Designer	Checked by	Scale	
				VB 8		Wydanie 4 / 36	



Capacity	Weight	Maximum load	Format A3	Designer	Checked by	Scale	
				VB 8		Wydanie 5 / 36	