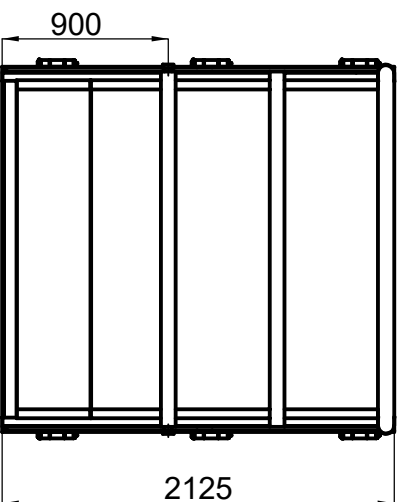
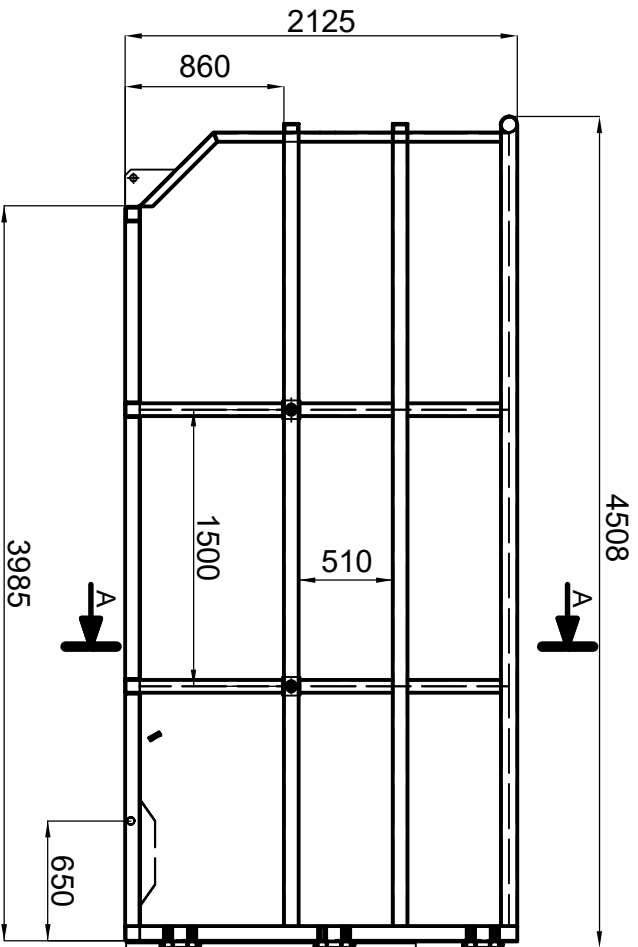
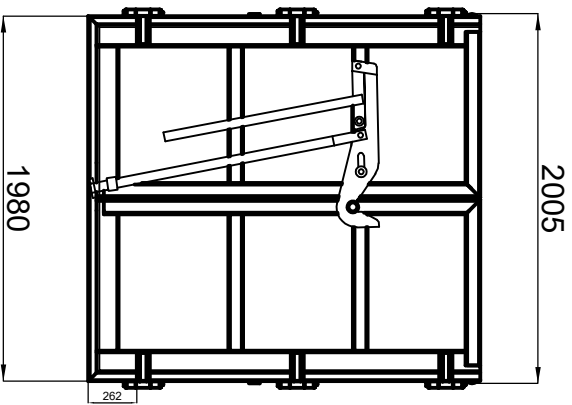
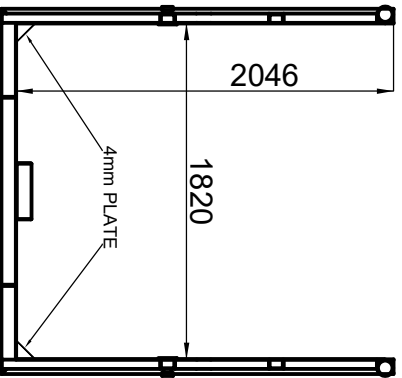


	thick.	quality
sides	4	S235
bottom	4	S235



A-A



Name		LDF-15	
Drawing no.		200167	
Scale			
Design			
Drawn			
Date			
Checked			
Material			
Weight			
Sheet no.			